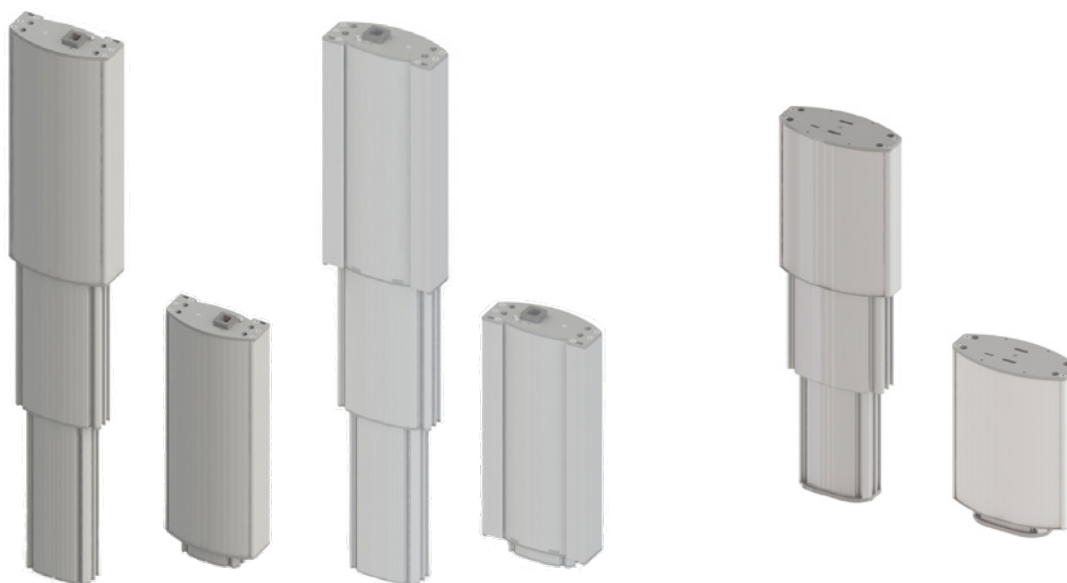


LIFTERS VISOLIFT



VISOLIFT VA

VISOLIFT VS

Lifter type Article number	Unit	Visolift asymetrical VA260L700587HHC24	Visolift symetrical VS260L460375HHAAD	Visolift symetrical VS260L700587AHH24	Visolift symetrical VS260L400400AHH24
Push force max.	N	3150	1500	3150	3150
Pull force max. **	N	1100	750	1100	750
Max. lengthwise load statical	Nm	1200	1200	1200	1200
Max. lengthwise load dyn.	Nm	500	500	500	500
Max. lateral load statical	Nm	450	450	450	450
Max. lateral load dynamical	Nm	225	225	225	225
Speed (without load)	mm/s	13	15	13	13
Lifter version		3-stage	3-stage	3-stage	3-stage
Max. stroke (custom made)**	mm	1000	700	1000	400
Retracted length (Standard)	mm	587	375	587	400
Stroke (Standard)	mm	700	460	700	400
Length/Stroke calculation	mm	Length=Stroke/2+237	Length=Stroke/2+145	Length=Stroke/2+237	Length=Stroke/2+200
Fixing points inner profile***		4xM8	4xM8	4 x M8	4 x M8
Fixing points outer profile***		4xM8	4xM8	4 x M8	4 x M8
Voltage	V/DC	24	24	24	24
Max. power input	W	144	144	144	144
Max. power consumption	A	6	6	6	6
Cable	mm	2000	2000	2000	2000
Plug	Art/Typ	Molex Mini Fit jr.	Molex Mini Fit jr.	Molex Mini Fit jr.	Molex Mini Fit jr.
Cycle duty (S3)	min	1/9 (10%)	1/9 (10%)	1/9 (10%)	1/9 (10%)
Environment temperature	°C	+10 to +40	+10 to +40	+10 to +40	+10 to +40
Protection rate*	IP	up to 54	up to 54	up to 54	up to 54
Isolation class		III	III	III	III
Weight	kg	18,5	18	18,5	18
Pulse travel length (2-Hall)	mm/Signal	0,2268	0,1568	0,2268	0,1568
Integrated end switches		Ja	Ja	Ja	Ja

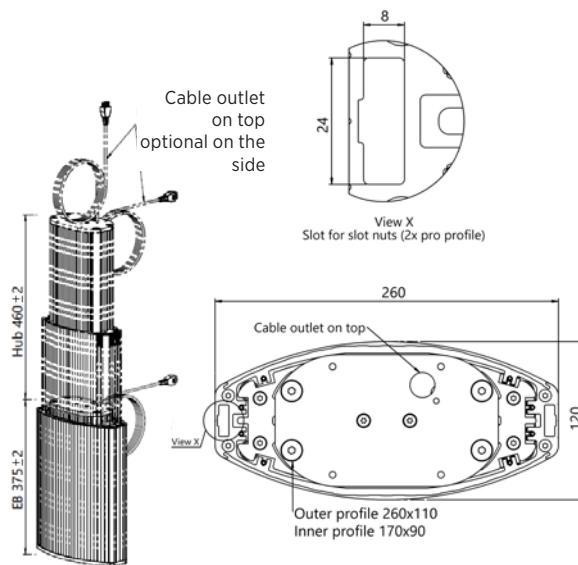
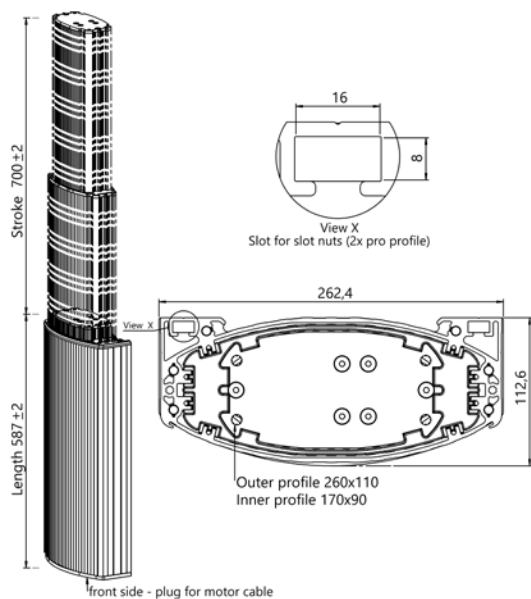
Stroke tolerance (+/- 2mm) and operating speed depending on load and voltage

*Depends on installation position

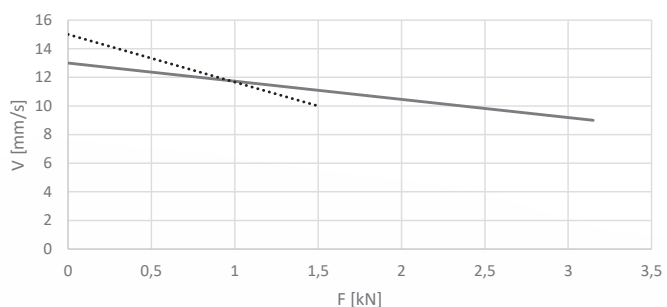
**Other retracted length/stroke/pull application on demand

*** Screws self cutting/forming according to DIN 7500, thread depth min. L= 2,5 x D
 Controllers and add-on components see accessoires

LIFTERS VISOLIFT



VISOLIFT VA



— VISOLIFT asymmetrisch VISOLIFT symmetrisch

VISOLIFT VS

