

## LINEAR GUIDE LIFTER I 67 Koax



### I 67 Koax

Linear Guide Lifter Article number	Unit	I 67 Koax, Spindle 12x3 IK67 MYYYYZZZMAA24	I 67 Koax, Spindle 12x6 IK67 FYYYYZZZMAA24	I 67 Koax, Spindle 12x12 IK67 IYYYYZZZMAA24	I 67 Koax, Spindle 12x16 IK67 JYYYYZZZMAA24	I 67 Koax, Spindle 12x30 IK67 OYYYYZZZMAA24
Push force max.	t	1000	800	600	400	400
Pull force max. **	N	500	400	300	200	200
Integr. brake in push direction		No/self-locking	Yes	Yes	Yes	Yes
Max. side load statical	Nm	150	150	150	150	150
Max. side load dynamical	Nm	100	100	100	100	100
Speed (without load)	mm/s	8	15	25	35	70
Length/stroke max.	mm	2000/1620	2000/1620	2000/1620	2000/1620	2000/1610
Slider length**	mm	160	160	160	160	160
Length/Stroke calculation	mm	Length=stroke+380	Length=stroke+380	Length=stroke+380	Length=stroke+380	Length=stroke+380
Fixing points***		4 x M6	4 x M6	4 x M6	4 x M6	4 x M6
Voltage	V/DC	24	24	24	24	24
Max. power input	W	144	144	144	144	144
Max. power consumption	A	6	6	6	6	6
Cable	mm	2300	2300	2300	2300	2300
Plug	Type	Molex Mini Fit Jr.	Molex Mini Fit Jr.	Molex Mini Fit Jr.	Molex Mini Fit Jr.	Molex Mini Fit Jr.
Cycle duty (S3)	min	1 / 9 (10 %)	1 / 9 (10 %)	1 / 9 (10 %)	1 / 9 (10 %)	1 / 9 (10 %)
Environment temperature	°C	+10 to +40	+10 to +40	+10 to +40	+10 to +40	+10 to +40
Protection rate*	IP	up to 54	up to 54	up to 54	up to 54	up to 54
Isolation class		III	III	III	III	III
Weight	kg	Length1000mm approx. 4,5kg				
Pulse travel length (2-Hall)	mm/signal	0,0875	0,1714	0,3429	0,4571	0,8571
Integrated end switches		Yes	Yes	Yes	Yes	Yes

Stroke tolerance (+/- 2mm) and operating speed depending on load and voltage

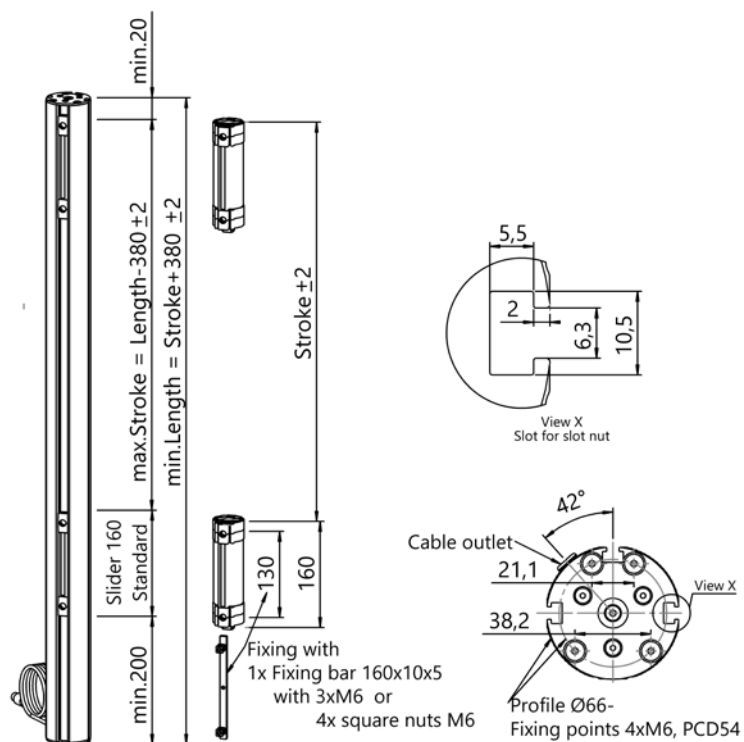
\*Depends on installation position

\*\*Other length on demand

\*\*\* Screws self cutting/forming according to DIN 7500, thread depth min. L= 2,5 x D

Controllers and add-on components see accessoires

**LINEAR GUIDE LIFTER I 67 Koax**



**I 67 Koax**

