

ACTUATOR TYP 120 S



TYP 120 S

Actuator Article number	Unit	120 S, Spindle 10x3 12SMYYYYZZZMFFXX	120 S, Spindle 10x6*** 12SNYYYYZZZMFFXX	120 S, Spindle 12x12*** 12SIYYYYZZZMFFXX	120 S, Spindle 12x16*** 12SJYYYYZZZMFFXX
Push force 12 - 24V	N	1000	500	400	300
Pull force 12 - 24V	N	1000	500	400	300
Push force 24 - 36V	N	1200	600	500	400
Pull force 24 - 36V	N	1200	600	500	400
Speed 12 - 24V	mm/s	10	20	40	45
Speed 24 - 36V	mm/s	12	25	45	50
Power rating	W	10....40	10....40	10....40	10....40
Max. stroke**	mm	213	301	449	518
Overall length	mm	Stroke + 70mm	Stroke + 70mm	Stroke + 70mm	Stroke + 70mm
Voltage	V/DC	12....24 or 24....36	12....24 or 24....36	12....24 or 24....36	12....24 or 24....36
Max. power input	W	50....80	50....80	50....80	50....80
Max. power consumption	A	1,5....4,0	1,5....4,0	1,5....4,0	1,5....4,0
Cable length****	mm	1500	1500	1500	1500
Cycle duty (S3)	min	1 / 9 (10%)	1 / 9 (10%)	1 / 9 (10%)	1 / 9 (10%)
Environment temperature	°C	0....40	0....40	0....40	0....40
Protection rate*	IP	up to 41	up to 41	up to 41	up to 41
Isolation class		E	E	E	E
Weight (without spindle)	kg	0,35	0,35	0,35	0,35
Gear reduction		1:27	1:27	1:27	1:27
Pulse travel length (1-Hall)	mm/pulse	0,1105	0,2211	0,442	0,5926
Integrated end switches		No	No	No	No

Stroke tolerance (+/- 2mm) and operating speed depending on load and voltage

* Depends on installation position

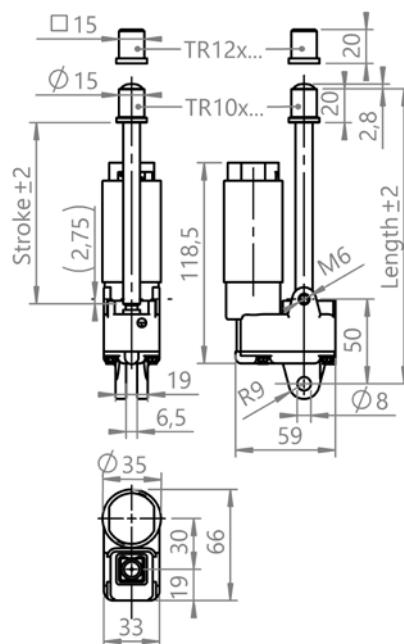
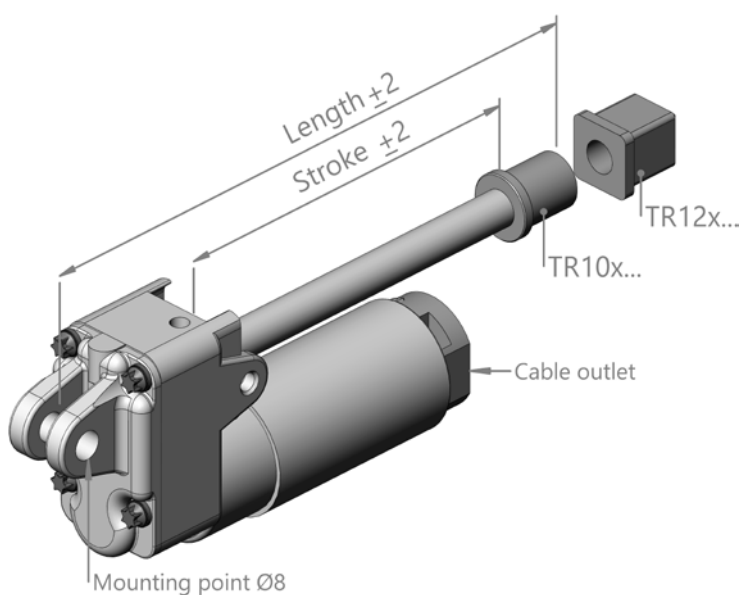
** Related to spindle bending at safety factor SF=2

*** No self-locking

**** Plug type Molex Mini Fit Jr. if used with hallsensors

Controllers and add-on components see accessoires

ACTUATOR TYP 120 S



TYP 120 S

